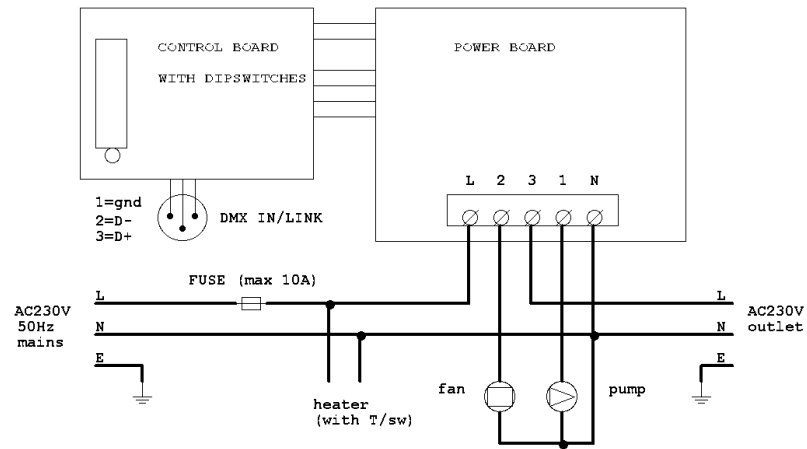


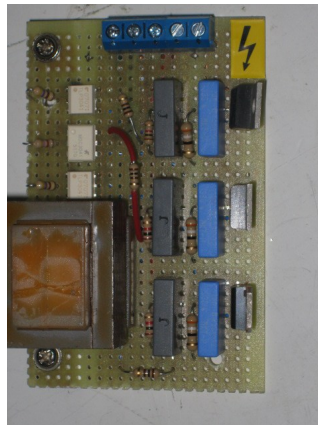
Electrical scheme



Control board:



Power board:



rev 1.1 - 01.04.2011
www.maetech.it
maetech@email.it



MaE Tech

Fog machine dmx control FOG100



upgrade for non-dmx smoke/fog/haze machines

Reference Manual

Features and Specifications:

- 3 standard DMX channels;
- intelligent smoke emission control;
- internal fan control: auto, always off, always on;
- auxiliary 230Vac output for external fan or other device (5A max).

Dmx channel occupation:

Channel 1: Smoke control.

0-15	No smoke emission (0%)
16-239	Intelligent smoke regulation:
16-31	100ms every 8 s output (1,3%)
32-47	100ms every 6 s output (1,7%)
48-63	100ms every 4 s output (2,5%)
64-79	100ms every 3 s output (3,4%)
80-95	100ms every 2 s output (5%)
96-111	100ms every 1,5 s output (7%)
112-127	100ms every 1,1 s output (9%)
128-143	100ms every 850 ms output (12%)
144-159	100ms every 600 ms output (17%)
160-175	100ms every 450 ms output (22%)
176-191	100ms every 300 ms output (33%)
192-207	100ms every 250 ms output (40%)
208-223	100ms every 200 ms output (50%)
224-239	100ms every 150 ms output (67%)
240-255	Continuous smoke emission (100%)

Slow rates are particularly indicated to obtain a soft haze effect.

Channel 2: Internal Fan Control.

0-63	On when channel 1 is higher than 15
64-191	Always Off
192-255	Always On

Channel 3: Auxiliary output.

0-63	On when channel 1 is higher than 15
64-191	Always Off
192-255	Always On

Indicator led meanings:

Turned off: no power or stand-by.

Flashing red: DMX error. Either wrong DMX address setting, either no signal or no-DMX signal connected.

Flashing blue, slow: Only fan and/or auxiliary output active.

Flashing blue, fast: intelligent smoke regulation active.

Steady blue: continuous smoke output active.

Please note: (rev 1.1)

- This controller does not have a temperature control, so please wait for the machine to become ready (hot) before raising channel 1.
- If any DMX error occurs the machine immediately turns off SMOKE, FAN and AUX. With very slow DMX rates a sporadic and short error may occur.